

SCREW-IN SENSOR

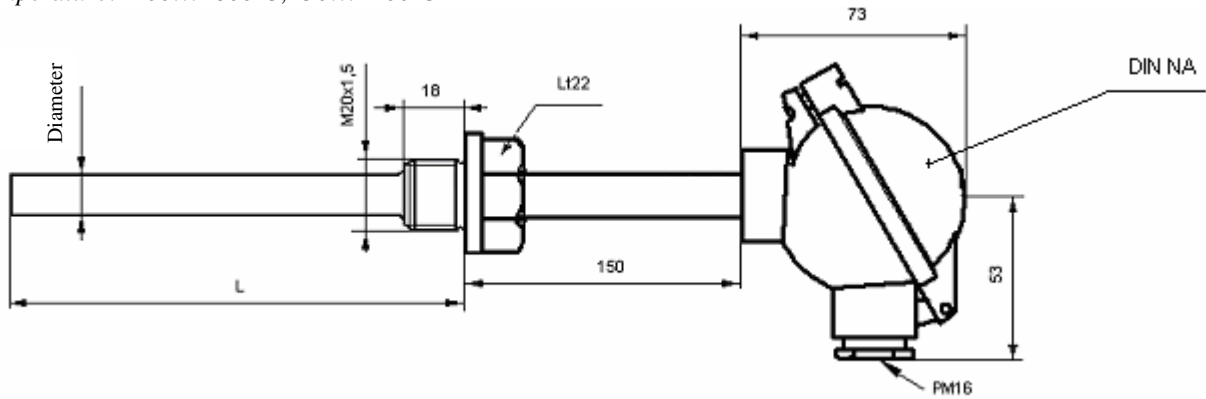


KNC: resistance type

Description:

Resistance temperature sensor with metal thermowell and connection head. Thread mounting: M20x1,5. Construction: with neck. Especially for temperature measuring of pressurized agents. Material of neck: KO33.

Temperature: -200...+600°C, -50...+400°C



Ordering code:

K	N	C																	
---	---	---	--	--	--	--	--	--	--	--	--	--	--	--	--	--	--	--	--

MEASURING-ELEMENT:

Resistance type: Pt100
Other

1
9

Class of accuracy: A
B
Other

A
B
9

Construction: Simple
Double
Triple

1
2
3

Connection: 2 wire
3 wire
4 wire

2
3
4

Measuring range: -200...+600° C
-50...+400° C

1
2

THERMOWELL, CONNECTION:

Material of thermowell: 1.4301
1.4541
Other

1
2
9

Diameter of thermowell [mm]: 10
12
Other

1 0
1 2
9 9

Length of thermowell[mm]:

[]

Head: Non adjustable
Adjustable

0
1

ACCESSORIES ON REQUEST:

Head mounted transmitter (4-20 mA):
Not order
Order

0
1

Naturally, we can differ from the above construction.

Please, fill in the ordering code and send your enquiry (order) to us.

fax: 00-36-1-282-6135 , e-mail: ugyfelsz@rhodium.hu , We will discuss the details.

If you have question, please call: 00-36-1-282-5689 and 00-36-1-282-8308, Our customer service is available.